

# Assembly Instructions

## Panel radiator universal

### Parts Supplied

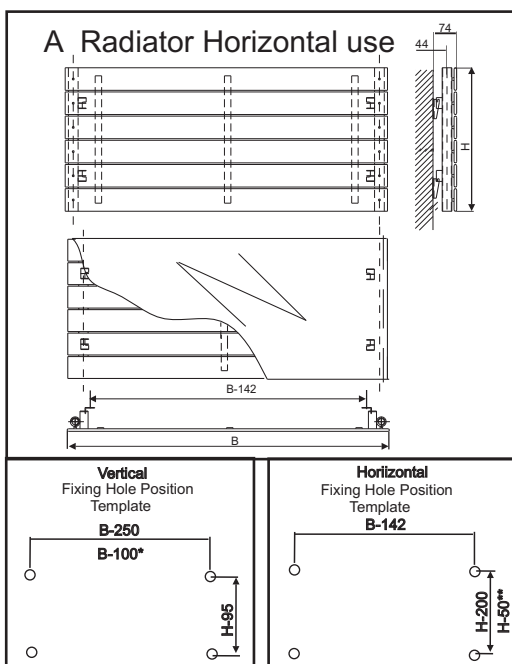
Ref	Description	Illustration	Qty
A	Radiator Vertical use		1
B	Air vent		1
C	Blanking plug		1

### Fittings Supplied (for solid walls)

Ref	Description	Illustration	Qty
D	Masonry plug		4
E	Screw		4
F	Bolster		4
G	Galvanized Bracket		4

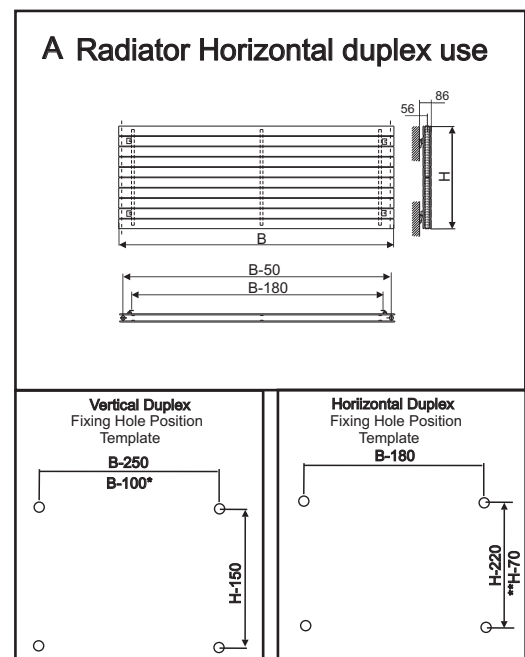
### Tools Required (not supplied)

Drilling Machine  
 Drill 10 mm masonry  
 22 mm Spanner  
 Hammer  
 Flat Nosed Pliers



\*FOR B=295

\*\*FOR H=295



\*FOR B=295

\*\*FOR H=295

### Before you start :

- Please read instructions carefully before installation.
- Check the pack and make sure you have all parts listed above. If not, contact your supplier who will be able to help you.
- Before drilling, first check that there are **no** hidden water pipes or electrical cables.
- This radiator is designed for use on an open or closed heating system up to a max pressure of 3 bars . For use on open systems the warrantee is subject to the addition of an anti-corrosion additive like Fernox.
- When you are ready to start, make sure you have the right tool to hand, plenty of space and clean dry area for assembly.
- Make sure that you use the right type of wall fixing;-masonry wall plugs supplied -.

## Installation

### A: Vertical use

1. Using the dimensions given in the fixing hole template if using the plugs supplied drill 4 holes to a depth of approximately 60 mm and a diameter of 10 mm. **NOTE:** The distance from the floor to the bottom of the radiator must be at least 200 mm for efficient heating and ventilation. The distance between the two ½” pipe connections is the width (B) + valve allowance.

### B: Horizontal use

1. Using the dimensions given in the fixing hole template if using the plugs supplied drill 4 holes to a depth of approximately 60 mm and a diameter of 10 mm. **NOTE:** The distance from the floor to the bottom of the radiator must be at least 200 mm for efficient heating and ventilation. The distance between the two ½” pipe connections is H-50 mm.

2. Insert masonry wall plugs ( D ) provided into the drilled holes, solid walls only.

3. Fasten screw ( E ) with bolster (F) through bracket ( G ) to fix securely to the wall.  
**Take care not to over tighten.**

4. Hang the radiator on the brackets.

5. Fit the supplied air vent ( B ) and blanking plug ( C ) into the upper threaded openings of the radiator.

6. Connect the water flow and the return pipe to the chosen side of the radiator and the isolation valves ( not supplied ). Ensure a water tight seal is obtained by using PTFE tape on the threads.

7. How to first fill and vent the radiator:

- Open the air vent
- Slightly open the inlet valve (about 10%) while leaving the outlet valve totally closed.
- Allow the system to fill the radiator. If possible fill without use of the heating pump, it is important that the radiator is filled slowly.
- When the radiator has been filled close the air vent.
- Open both inlet and outlet valves totally and use the heating system for about 2 hours.
- Totally close both inlet and outlet valves.
- Open the air vent and let out all air.
- This should clear all air from the radiator. If you are still having problems, on some systems it may be necessary to fit an automatic air vent.

## Care & Use

- After fitting you **MUST** be absolutely certain that the system is **THOROUGHLY** flushed before it is commissioned in order to rinse out any metal, flux and foreign residues.
- To help prevent internal corrosion and lime scale formation a suitable inhibitor **MUST** be added to the central heating system when it is refilled
- Wipe radiator clean with a soft damp cloth. Never use scourers, abrasives or chemical cleaners.

## Troubleshooting

- If some panels of the radiator are not warm, check and purge once more using step 7.