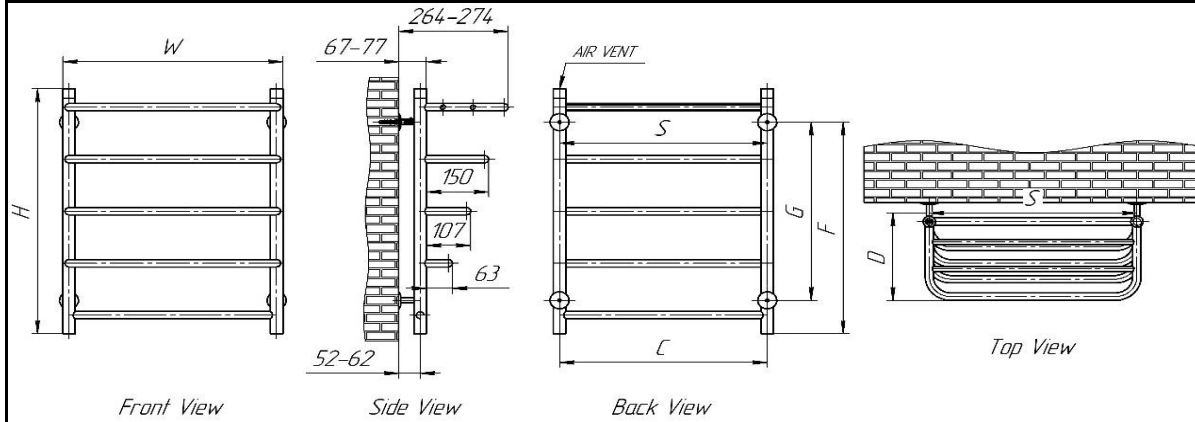


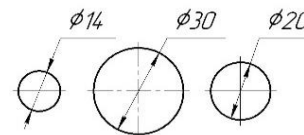
# ELVO - 530



## SUPPLIED INSTALLATION ACCESSORIES



## MATERIAL DETAILS



- Vertical mounting
- Optional 304 QUALITY STAINLESS STEEL TOWEL RADIATOR
- Polished
- Max operational pressure: 10 Bar
- Inlet/Outlet: 1/2" female pipe thread
- All dimensions are in mm

| Product name   | Product code | Height | Width | Thickness | Plumbing axes center to center | Hanger axes horizontal | Hanger to bottom of the product | Hanger axes vertical | Water volume | Empty weight |
|----------------|--------------|--------|-------|-----------|--------------------------------|------------------------|---------------------------------|----------------------|--------------|--------------|
|                |              | H      | W     | D         | C                              | S                      | F                               | G                    | -            | -            |
|                |              | mm     | mm    | mm        | mm                             | mm                     | mm                              | mm                   | mm           | L            |
| ELVO 530 x 660 | RNS-ELO066   | 660    | 530   | 237       | 500                            | 500                    | 570                             | 480                  | 1,59         | 4,7          |

# REINA

[www.reinadesign.co.uk](http://www.reinadesign.co.uk)

[info@atayglobal.com](mailto:info@atayglobal.com)

Tel: +44 1787 238540