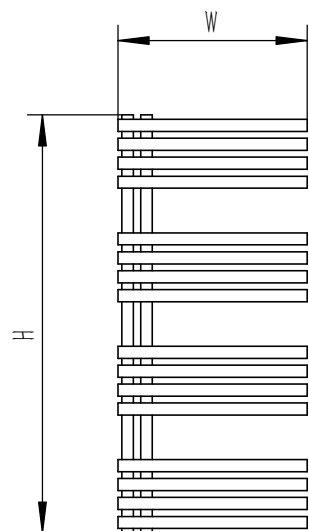
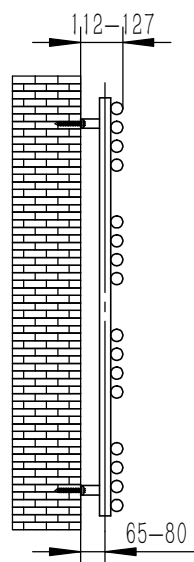


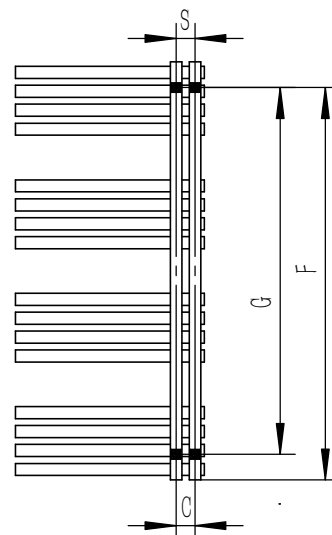
ADORA



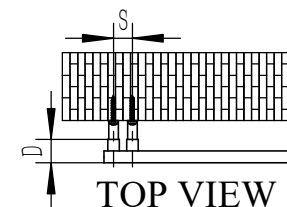
FRONT VIEW



SIDE VIEW



BACK VIEW



TOP VIEW

SUPPLIED INSTALLATION ACCESSORIES



BLANKING PLUG 1PCS



INSERT 4PCS



SCREW 4PCS



AIR VENT 1PCS



BRACKET 4PCS



WALL PLUG 4PCS



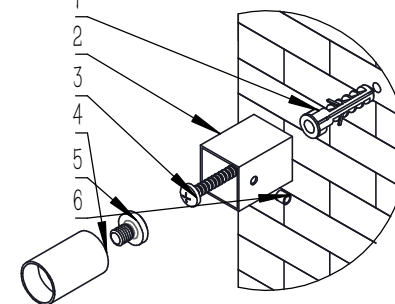
GRAB SCREW 4PCS



SCREW 4PCS



ALIEN KEYS 1PCS



- Vertical Mounting
- Optional 304 QUALITY STAINLESS STEEL RADIATOR (RNS-ADR5080: ADORA RADIATOR)
- POLISHED
- MAX Operational Pressure:10Bar
- Inlet/Outlet:1/2"Female Pipe Thread
- All Dimensions are in mm

Product Name	Product Cude	Height	Width	Thick Ness	Plumbing Axes Center to Center	Hanger Axes Horizontal	Hanger To Bottom of the Product	Hanger Axes Vertical	Water Volume	Empty Weight	Thermal Output
		H	W	D	C	S	F	G	-	-	Wat-Btu/hr($\Delta 50^\circ$)
		mm	mm	mm	mm	mm	mm	mm	mm	L	kg
ADORA	RNS-ADR5110	1106	500	62	50	50	1038	970			
ADORA	RNS-ADR5080	806	500	62	50	50	735	664			

